

Timberlinx steel connectors

Concealed steel extends the capabilities of traditional joinery certified for tension and shear

Mike Preston

Part of the charm, elegance, and durability of a heavy-timber structure rests in how individual timber elements are cut and joined. Visual appeal and structural integrity are unified in a well-executed connection.


Traditional timber frames and log buildings rely principally on direct bearing of the tightly mating surfaces of all-wood connections produced by the skilled joiner. Intricate ironwork from the forge secures the joints in post and beam structures. Nevertheless, the

connections in each of these building systems can be enhanced or replaced with Timberlinx.

Timberlinx is a simple, concealed, and adjustable fastening system that can provide strength and stiffness to any heavy-timber or log connection. It consists of a hollow steel connection tube inserted equal distance in both members of the joint and linked by two expanding cross pins that fit through 3/4-in. diameter holes in the connecting tube. Installation requires only an electric drill and jig, and appears similar to a mortise and tenon joint when plugged with a wood dowel.

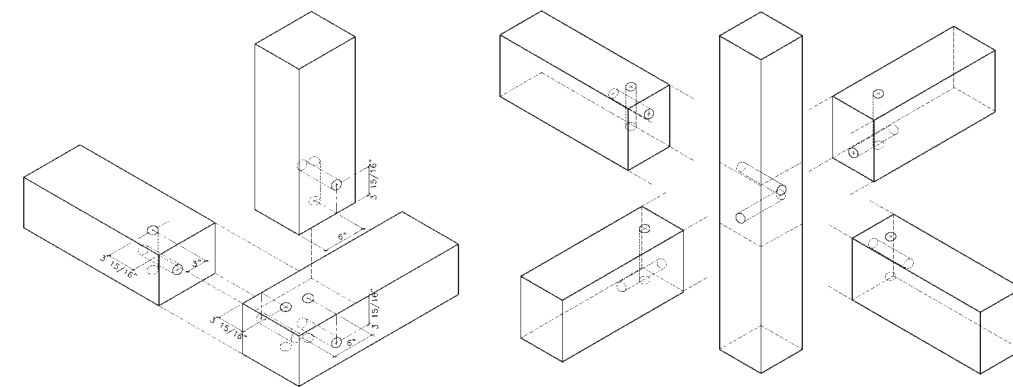
Engineering tests have shown it to be significantly stronger than the traditional mortise and tenon. The connection can also be tightened in service by removing the dowel plugs and tightening the cross pins with an Allen key. The connector is also more versatile than exposed iron and steel connection hardware, resulting in substantial cost savings.

With our suite of supplemental products, a broad array of wood-to-wood, wood-to-steel, and wood-to-concrete connections can be realized with Timberlinx. Our customers are relying on Timberlinx more and more every day as they envision new applications for the system.

Structural integrity is assured through extensive product testing. The technical data in our building code evaluation report [CCMC # 13091-R] and on our web site [www.timberlinx.com/tech.php] helps engineers specify Timberlinx in their designs. 

Mike Preston is president of Timberlinx, Toronto, Ontario.

1. Timberlinx can be used in every type of joint. [Photo courtesy of Timmerhus Inc., timmerhusinc.com]
2. Timberlinx connectors greatly strengthen four-way connections. [Photo courtesy of Cougar Creek Timber Frame, see p.48]
3. The connector can be easily tightened with an Allen key and completely concealed by a wood plug.



Timberlinx three-way [left] and four-way [right] connections.



For using Timberlinx contact any of these specialists :

 **habitat**
POST & BEAM
1-800-992-0121
www.postandbeam.com

 **EUCLID**
435-654-1372
www.euclidtf.com

 **BRTW**
(540) 382-1102
www.brtw.com

 **RIDGETOP DESIGN**
Heavy Timber Design With Timberlinx Fasteners
Allen Stoker, 770-449-6954
www.ridgetop.com

In The German Tradition
Timber Frame Homes
of ALEXANDER LOWE & SONS
877-815-2417 or 903-445-9350
www.loweco.com

Timberlinx
1-877-900-3111
www.timberlinx.com